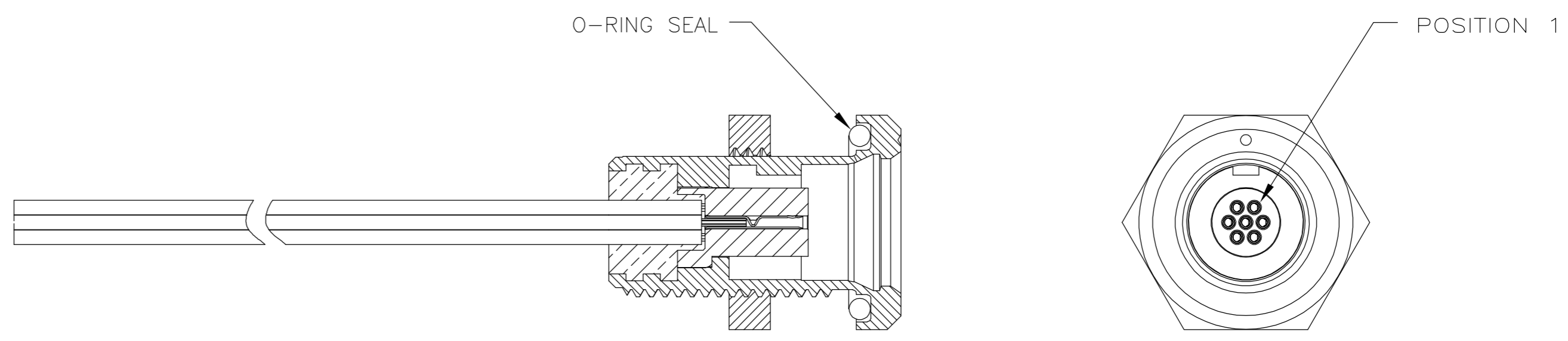
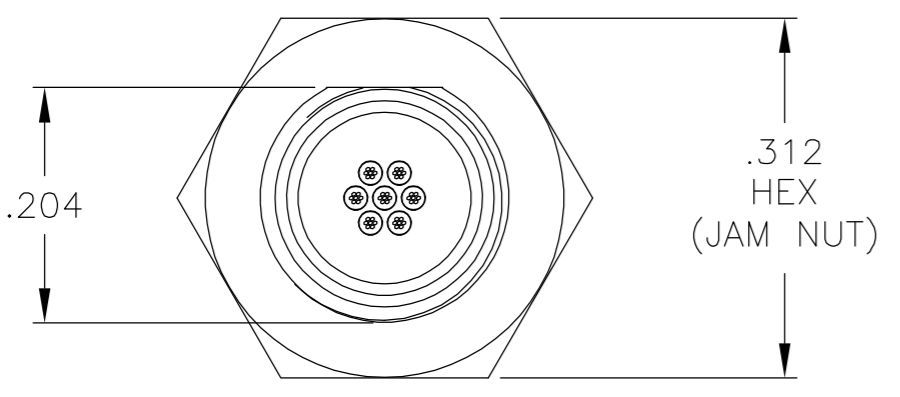
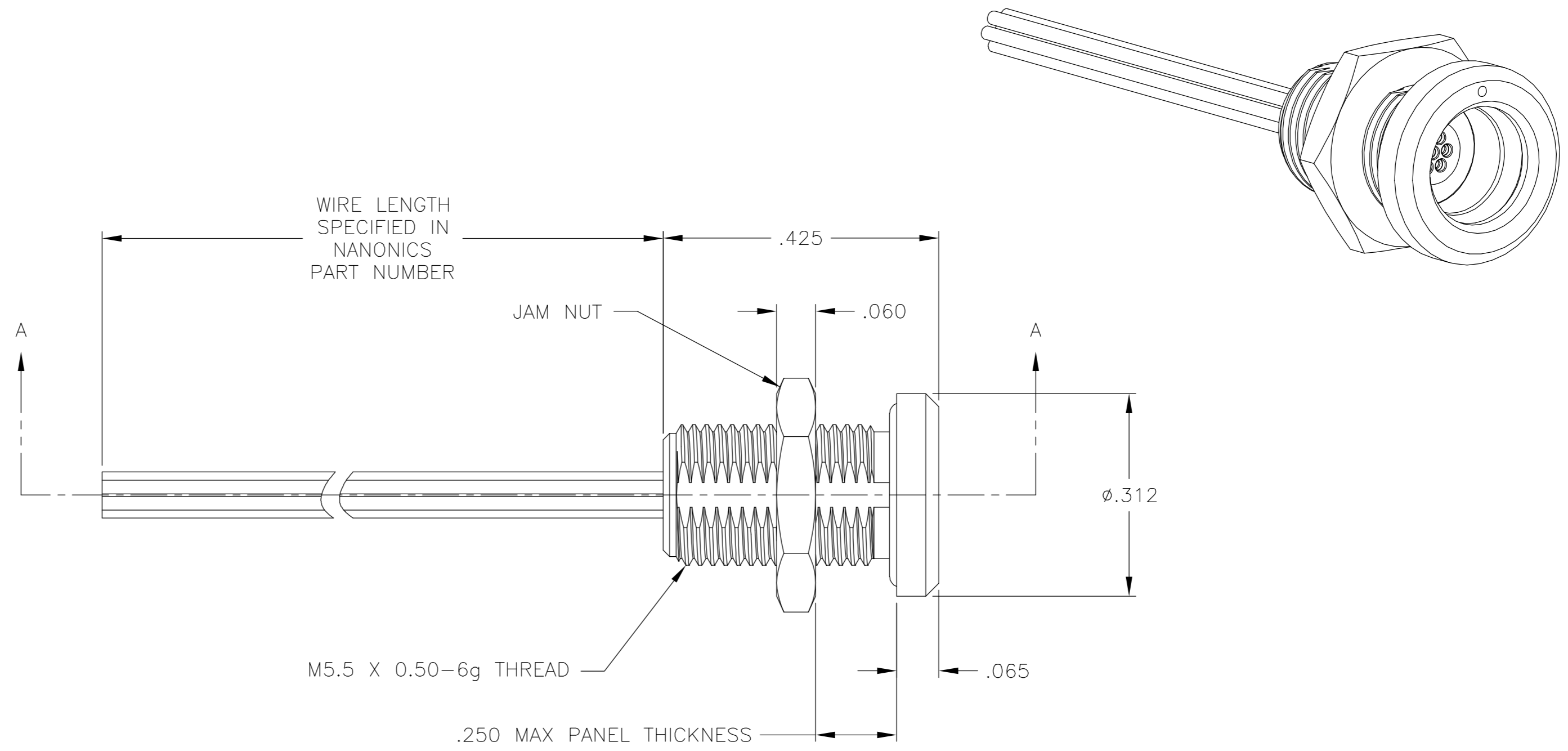
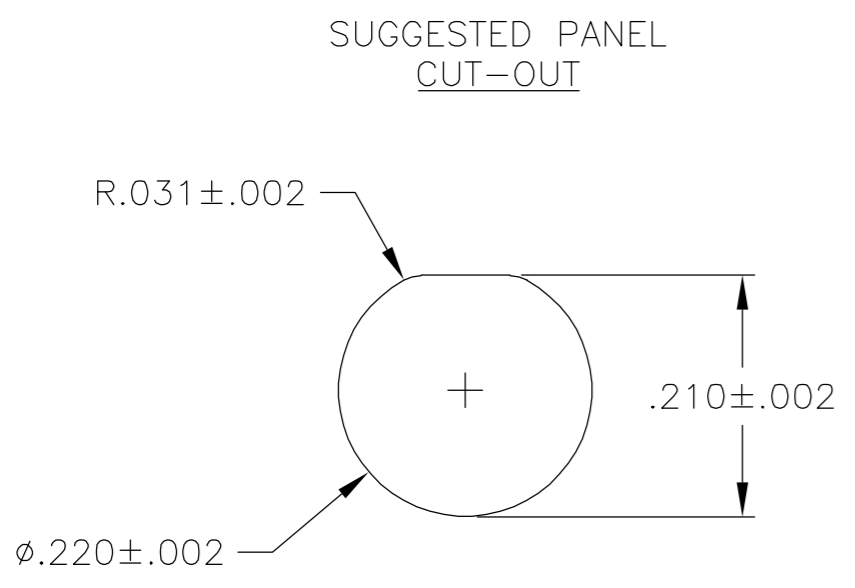


THIS DRAWING IS UNPUBLISHED. RELEASED FOR PUBLICATION
 © COPYRIGHT BY TYCO ELECTRONICS CORPORATION. ALL RIGHTS RESERVED.

LOC	DIST	REVISIONS			
P	LTR	DESCRIPTION	DATE	DWN	APVD
DF	D0	E	UPDATE PER 0H2Y-0164-04	12 MAY 04	CAS MKS



SECTION A-A

- CONNECTOR BODY AND JAM NUT MATERIAL: 6061-T6 ALUMINUM, ELECTROLESS NICKEL PLATED PER MIL-C-26074
 INSULATOR MATERIAL: LIQUID CRYSTAL POLYMER (LCP) PER MIL-M-24519 OR PER ASTM D5138
 O-RING MATERIAL: FLUOROSILICONE.
- WIRE TERMINATION: 28 AWG SOLID, 30 AWG STRANDED WIRE OR SMALLER.
- THIS DRAWING PREVIOUSLY IDENTIFIED AS NANONICS 303-0024.

THIS DRAWING IS A CONTROLLED DOCUMENT.		DWN M. STORRY 4 MAY 99	 Tyco Electronics Corporation Harrisburg, PA 17105
DIMENSIONS: INCHES		CHK E. PAULUS 7 MAY 99	
 0 PLC ± - 1 PLC ± - 2 PLC ± .010 3 PLC ± .005 4 PLC ± - 1° FINISH SEE NOTES		APVD S. KAIN 27 JAN 00	
MATERIAL SEE NOTES		PRODUCT SPEC APPLICATION SPEC	
		WEIGHT -	NAME RECEPTACLE ASSEMBLY, CIRCULAR, FLUSH MOUNT, QUICK DISCONNECT, METAL, 7 POSITION
		CUSTOMER DRAWING	SIZE A2 CAGE CODE 00779 DRAWING NO. C=1589056 RESTRICTED TO -
		SCALE 6:1	SHEET 1 OF 1 REV E

1589056